



Drag Chain Conveyor

Xiamen Cafu Mechanical Equipment Co., Ltd

Add:1802, No.2567, Binhai West Avenue, Tong'an District, Xiamen, China

E-mail:sales@xmcafu.com

Tel:+86-592-7010098、 +86-18120740098(WhatsApp)

FU Type Drag Chain Conveyor

FU型链式输送机

产品描述 Product Description

FU型链式输送机(简称“链运机”)是一种用于水平(或倾斜 $\leq 15^\circ$)输送粉状、小粒状物料的设备,结构新颖,设计合理,并且运行可靠,节能高效,使用寿命长,整个物料在密封的箱体输送,粉尘极少外溢。

FU drag chain conveyor (referred to as "chain conveyor") is a device for horizontally (or inclined 15°) conveying powder, and small granular materials. It has the features of novel structure, reasonable design, reliable operation, and long service life. It is also energy-saving and efficient. The entire material is transported in the sealed box, so the dust rarely overflows.

产品特点 Feature

- 输送能力大,可达 $6 \sim 300\text{m}^3/\text{h}$ 。
- 输送能耗低,借助物料的内摩擦力为为推动物料前进拉力,与螺旋输送机相比节电 $40\% \sim 50\%$ 。
- 密封性好且安全,全密封机壳使粉尘极少外溢。
- 使用寿命长,专门订购的输送链选用优质钢材并经过特殊的热处理,正常使用寿命可达5年以上。
- 工艺布置灵活,也可多点进出料。
- Large conveying capacity, up to $6 \sim 300\text{m}^3/\text{h}$.
- Low energy consumption for transportation. The internal frictional force of the material is used to push the material forward, which saves $40\% \sim 50\%$ of electricity compared with the screw conveyor.
- The sealing is good and safe, and the fully-sealed casing makes the dust rarely overflow.
- Long service life. The specially ordered conveyor chain uses high-quality steel and undergoes special heat treatment. The normal service life can reach more than 5 years.
- Flexible process layout and multi-point feeding and discharging.



应用范围 Application Range

用于水平输送粉状、小粒状物料,广泛用于建材、建筑、化工、火电、粮食加工、矿山、机械、冶炼、交通、港口和运输等行业。

It is used for horizontally transporting powdery and small granular materials, and is widely used in construction materials, construction, chemical industry, thermal power, grain processing, mining, machinery, smelting, port and transportation industries.

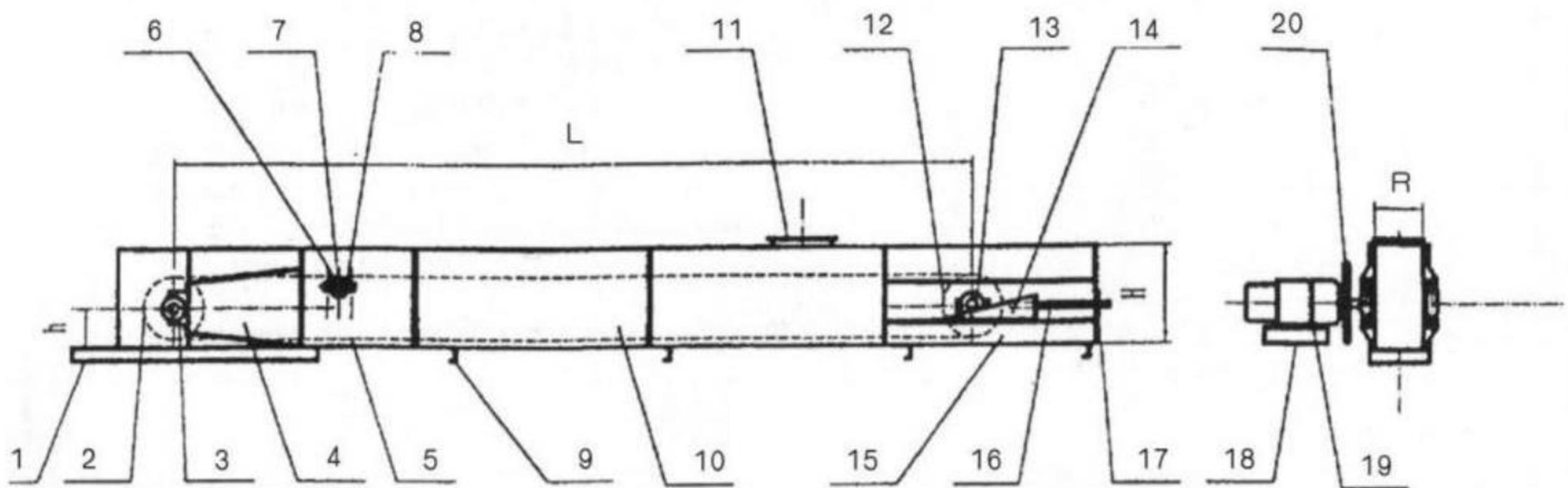
技术参数 Technical Parameter

型号 Model	槽宽 (mm) Width	理想 粒度 Optimal Particle Size	10%量大 颗粒 (mm) Max. Particle Size	最大输 送斜度 Max. Slant Angle	最适输送量 (m ³) Capacity							物料湿度 (含水百分比) Moisture Ratio(%)
					链条线速 (m/min) Speed							
					10	12	13.5	15	16	20	25	
FU150	150	<4	<8	≤15°	6-9	25-36		9-13		12-18	15-23	≤5%
FU200	200	<5	<10		12-16	40-56		18-24		24-32	30-40	
FU270	270	<7	<15		21-30	55-80	28-40	31-45	34-48	42-60	52-75	
FU350	350	<9	<18			80-110		54-75		72-100	90-125	
FU410	410	<11	<21					70-100		75-130	705-150	
FU500	500	<13	<25					105-145		140-200	160-225	

表中最适输送量是以水泥为原料定制的,实际输送量可以掌握在比表中少0~20%范围,当物料用于其它行业输送磨琢性很小的物料时,输送速度可适当加快(最快链速40m/min)。

物料湿度无法测量时,以手捏成团,撒手后物料仍能松散为度,超过湿度输送有困难。

外形结构图 Configuration Drawing



1、头部出料口 2、头部链轮 3、头部轴承座 4、头部机壳 5、输送链条 6、托轮 7、托轮轴 8、托轮轴承座 9、中间支座 10、中间机壳 11、进料口 12、尾部链轮 13、尾部轴承座 14、尾轴承座托架 15、尾部机壳 16、张紧丝杠 17、丝杠托板 18、动力底座 19、减速电机 20、传动链轮

1、Head Outlet 2、Head Wheel 3、Head Bearing Support 4、Head Body 5、Chain 6、Riding Wheel 7、Riding Wheel Shaft 8、Riding Wheel Bearing Support 9、Middle Support 10、Middle Body 11、Inlet 12、Tail Wheel 13、Tail Bearing Support 14、Tail Bearing Support Bracket 15、Tail Body 16、Tensioner 17、Guide Screw Support 18、Driving Unit Bracket 19、Driving Unit 20、Drive Sprocket

XGZ Type Cast-stone Scraper Conveyor

XGZ型铸石刮板输送机

产品描述 Product Description

XGZ型铸石刮板输送机是结合我国选煤厂及煤矿地面生产系统中的具体情况而研制的重型铸石机，以水平运输为主，也可倾斜输送，其最大输送倾角为20°。

XGZ type cast-stone scraper conveyor is a heavy cast-stone conveyor developed according to the specific situation of coal preparation plant and coal mine ground production system. It is mainly used for horizontal transportation, but it can also be used for sloping transportation, with its maximum tilt angle is 20 degrees.

产品特点 Feature

- 以水平输送为主，也可以倾斜输送。
- 本机有头节、过渡节、中间节、刮板装置、尾节和驱动装置组成，其最大选型长度为64.3m，从6.7m起每间隔1.1-2.1m为一档。
- 本机中部可有多个进出料口，方便进料和卸料。
- It is mainly used for horizontal transportation, but it can also be used for sloping transportation.
- The conveyor includes the head section, transition section, middle sections, scraper device, tail section and drive device etc. Its max. length is 64.3m, the middle sections is 1.1-2.1m per section.
- The conveyor can be installed multiple inlet and outlet opening, to convenient for loading and unloading.



应用范围 Application Range

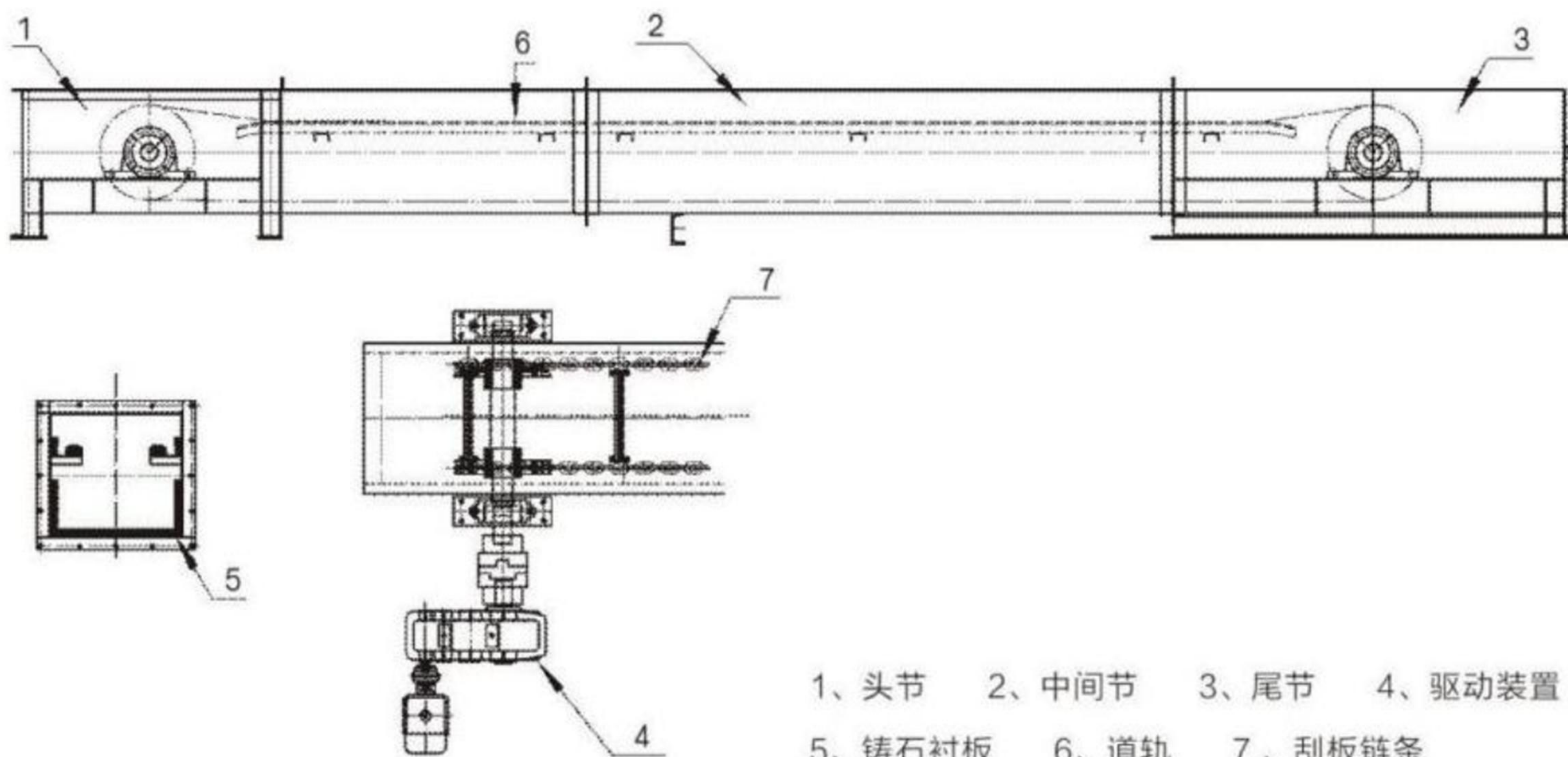
铸石刮板输送机适用于温度在250°以下的粉状、粒状、小块状及混合物料的密闭输送，以水平运输为主。也可倾斜输送，其最大输送倾角为20°，主要适用于各种物料的输送，可适用于矿山、冶金、煤矿、化工对含水率无过高要求的物料输送，系统中粒度在300mm以下。

The cast-stone scraper is suitable for the closed transport of powder, granular, small size and mixed materials with the temperature below 250°. It is mainly used for horizontal transportation, but it can also be used for sloping transportation. Its max. tilt angle is 20 degrees. It is mainly applicable to transporting the various materials, and it can be applied to transporting the materials in mines, metallurgy, coal mines and chemical industries that have no high requirements on water content. The particle size of the system is less than 300mm.

技术参数 Technical Parameter

规格 Specification	XGZ-06	XGZ-08	XGZ-10	XGZ-12	XGZ-14
输送量t/h Capacity	100 ~ 300	200 ~ 500	300 ~ 600	400 ~ 800	500 ~ 1000
链速m/s Speed	0.48 ~ 0.76	0.48 ~ 0.76	0.48 ~ 0.76	0.48 ~ 0.76	0.48 ~ 0.76
输送距离m Length	6.7 ~ 64.3	8.2 ~ 64.3	8.6 ~ 43.6	8.9 ~ 63.5	8.6 ~ 53.6
物料粒度mm Particle Size	∠200	∠300	∠00	∠300	∠300
刮板宽度mm Scraper width	600	800	1000	1200	1400
刮板间距mm Scraper pitch	1024	1024	1024	1024	1024

外形结构图 Configuration Drawing



1、头节 2、中间节 3、尾节 4、驱动装置
5、铸石衬板 6、道轨 7、刮板链条

1、Head Body 2、Middle Body 3、Tail Body
4、Driving Unit 5、Cast Stone Liner
6、Guide Rail 7、Chain

MS Type Buried Scraper Conveyor

MS型埋刮板输送机

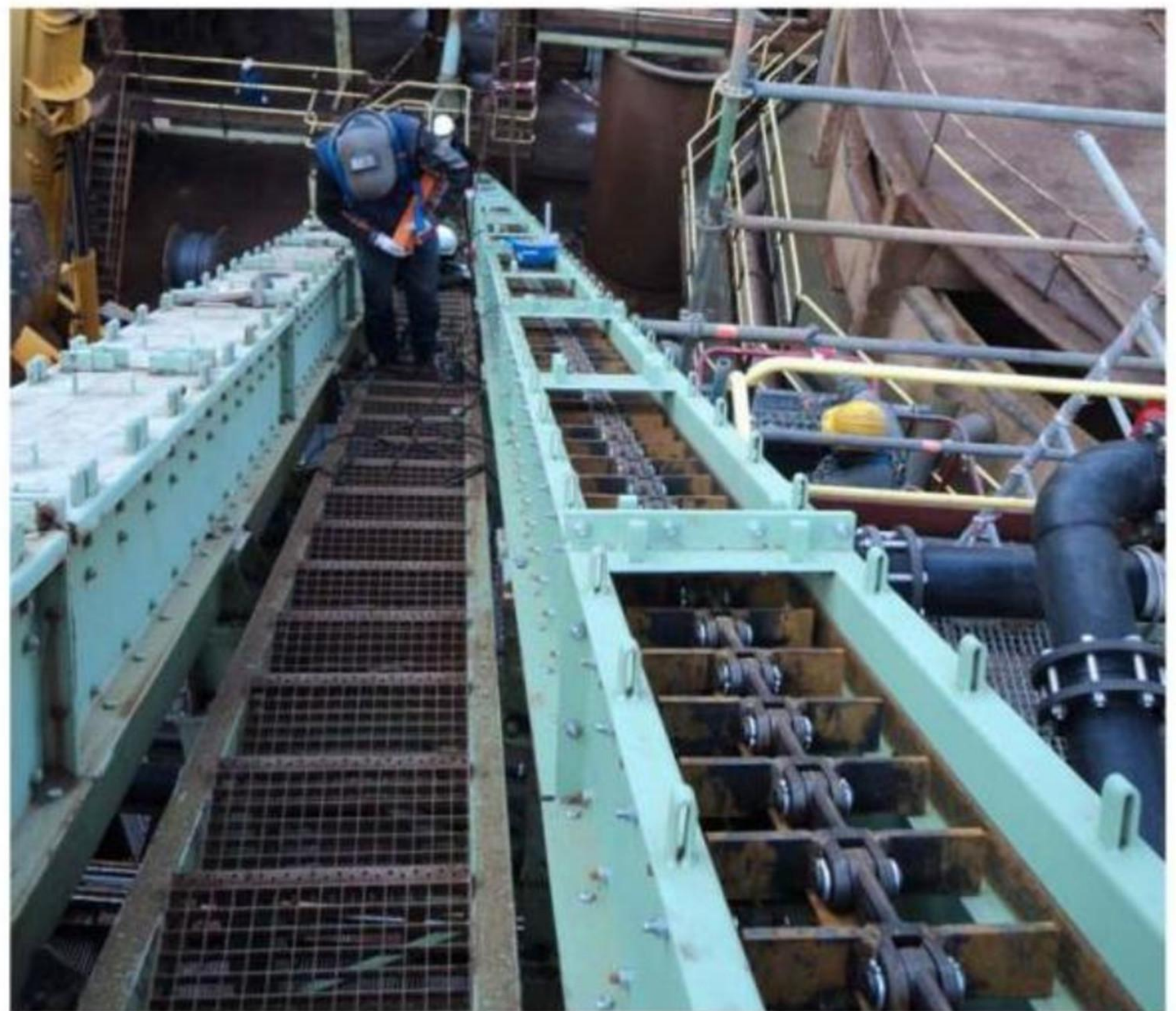
产品描述 Product Description

MS型埋刮板输送机是我厂吸收国外先进技术而设计的输送设备，常用于输送小粒状和粉状物料，亦能在15°角范围内作倾斜输送对输送有毒、易爆、高温和易飞扬的物料，改善工人操作条件和减少环境污染等方面有独特之处。

The MS type buried scraper conveyor is the conveying equipment designed by our factory to absorb the advanced foreign technology, it is often used for conveying granular and powdery materials. It can be used for inclined conveying, and the tilt angle is less 15 degrees. It is unique in conveying toxic, explosive, high temperature and easy to fly materials, and improving working conditions and operating conditions and reducing environmental pollution.

产品特点 Feature

- 工艺布置灵活，可水平，倾斜布置。
 - 设备简单，体积小，占地面积小，重量轻，可多点装卸料。
 - 实现密封输送，特别适用于输送扬灰的，有毒的，易爆的物料，改善劳动条件，防止污染环境。
 - 安装方便，维修费用低。
- The conveyor can be installed by horizontal or sloping.
 - The conveyor has compact structure, small volume, light weight, and can be installed multiple inlet and outlet opening.
 - Full seal conveying, especially suitable for conveying ash, toxic, explosive materials, improve working conditions, prevent environmental pollution.
 - Easy to install, low maintenance cost.



应用范围 Application Range

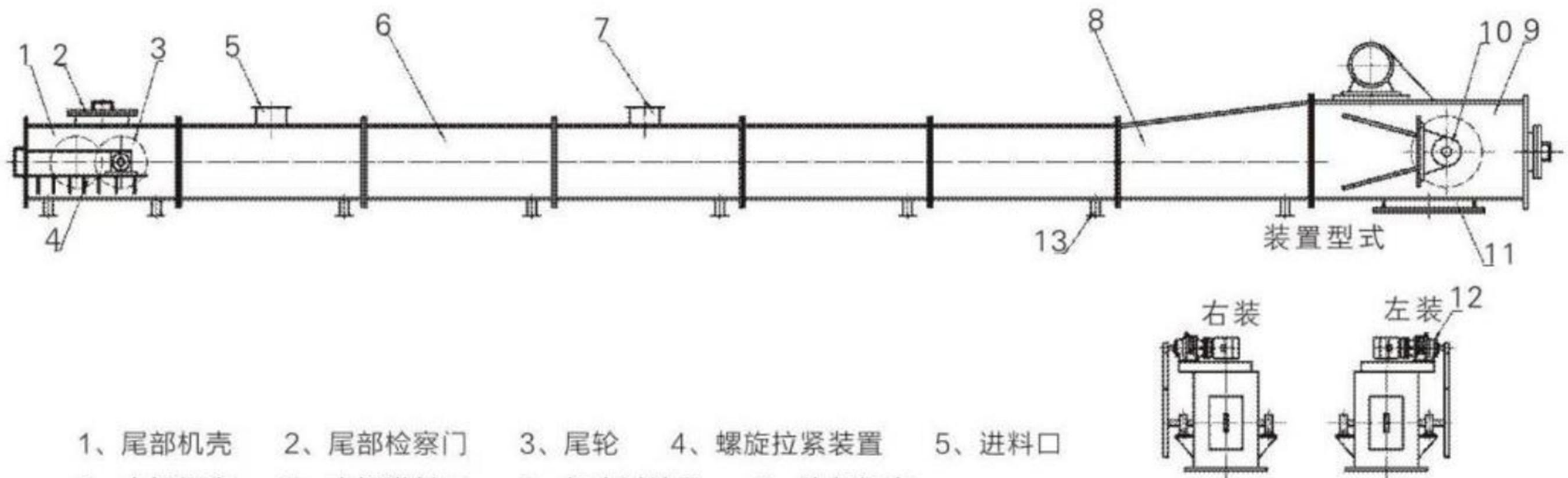
广泛应用于冶金、建材、电力、化工、水泥、港口码头、煤炭、矿山、粮油、食品、饲料等行业和部门。

It is widely used in metallurgy, building materials, electric power, chemical industry, cement, port & wharf, coal, mine, grain and oil, food, feed and other industries and sectors.

技术参数 Technical Parameter

机器型号 Model		MS12	Ms16	MS20	MS25	MS32	MS40	MS50	MS63
机槽宽度 (mm) Groove Width		120	160	200	250	320	400	500	630
名义承载深度 (mm) Depth		120	160	200	250	320	400	500	630
额定输送量 (m ³ /h) Rated Capacity		7-12	11-25	17-39	23-54	48-88	67-124	105-192	166-300
最大输送距离 (m) Max. Length		80	80	80	80	80	80	80	80
刮板 链条 Chain	型号 Model	DT	DT	DT	DT(3002T)	3002T	3003T	3003T	3003T
	许用载荷 (KN) Allowable load	15	17	26	35(45)	45	75	100	2×75
	参考重量 (kg/m) Ref. Weight	5.5	5.62	7.2	12.2(15.63)	15.63	23.24	25.34	47.6
	运行速度 (m/s) Speed	0.16-0.32	0.16-0.32	0.16-0.32	0.16-0.32	0.2-0.32	0.2-0.32	0.25-0.32	0.25-0.32

外形结构图 Configuration Drawing



- 1、尾部机壳 2、尾部检察门 3、尾轮 4、螺旋拉紧装置 5、进料口
 6、中间机壳 7、中间进料口 8、机壳过渡段 9、头部机壳
 10、头部轴承座及链轮 11、出料口 12、驱动部分 13、支腿

- 1、Tail Body 2、Tail Inspection Door 3、Tail Wheel 4、Screw Tensioner
 5、Inlet 6、Middle Body 7、Middle Inlet 8、Transition Section
 9、Head Body 10、Head Assembly 11、Outlet 12、Driving Unit
 13、Bracket